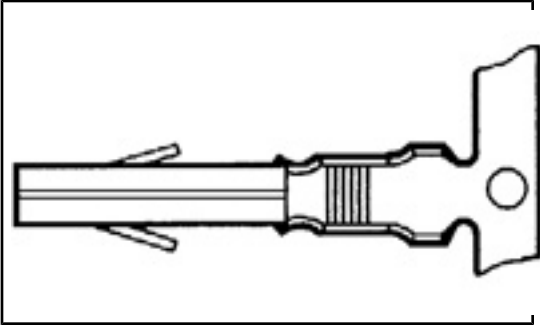


350689-1 Product Details



350689-1

TE Internal Number: 350689-1



[Active](#)

**.250" Centerline, 600 V, 19 - 36 A
max**



[Always EU RoHS/ELV Compliant \(Statement of Compliance\)](#)

Product Highlights:

- Contact
- Universal MATE-N-LOK
- Not CompactPCI
- Contact Type = Socket
- Wire Range = 0.20-0.80² [24-18] mm [AWG]

[View all Features](#)

Documentation & Additional Information

Product Drawings:

- [SOCKET,\(LOOSE PIECE\) UNIVERSAL MATE-N-LOK](#) (PDF, English)

Catalog Pages/Data Sheets:

- [REPRESENTATIVE TERMINALS AND CONNECTORS](#) (PDF, English)
- [AMP SEALED CONNECTORS](#) (PDF, English)
- [SOFT SHELL PIN SOCKET CONNECTORS STANDARD DENSITY](#) (PDF, English)

Product Specifications:

- None Available

Application Specifications:

- [Universal MATE-N-LOK Connectors](#) (PDF, English)

Instruction Sheets:

- [Crimp-Snap LIGHT-N-LOK Circular Connectors](#) (PDF, English)
- [MATE-N-LOK Contact and Housing Selection Charts](#) (PDF, English)
- [Application and Maintenance for Hand Crimping Tool](#) (PDF, English)

CAD Files: ([CAD Format & Compression Information](#))

- [2D Drawing](#) (DXF, Version R)
- [3D Model](#) (IGES, Version R)
- [3D Model](#) (STEP, Version R)

[List all Documents](#)

Additional Information:

- [Product Line Information](#)

Related Products:

- [Tooling](#)
- [Housings \(341\)](#)

Product Features (Please use the Product Drawing for all design activity)

Product Type Features:

- Product Type = Contact
- Connector Line = Universal MATE-N-LOK
- Insulation Diameter (mm [in]) = 1.02-2.54 [.040-.100]
- Comment = Contacts can be used with Splash Proof Seals if insulation diameter range is .060-.100.

Electrical Characteristics:

- High Current = No
- Current Rating (Amps.) = 19
- Voltage (VAC) = 600

Termination Related Features:

- Solder Tail Contact Plating = Pre-Tin

Body Related Features:

- Wire Range (mm [AWG]) = 0.20-0.80² [24-18]
- Contact Diameter (mm [in]) = 2.13 [0.084]
- Stock Thickness (mm [in]) = 0.25 [0.010]

Contact Related Features:

- CompactPCI = No
- Contact Type = Socket
- Contact Base Material = Brass
- Sealable = No

Industry Standards:

- [RoHS/ELV Compliance](#) = RoHS compliant, ELV compliant
- [Lead Free Solder Processes](#) = Not relevant for lead free process
- RoHS/ELV Compliance History = Always was RoHS compliant

Packaging Related Features:

- Packaging Method = Loose Piece

Other:

- Brand = AMP